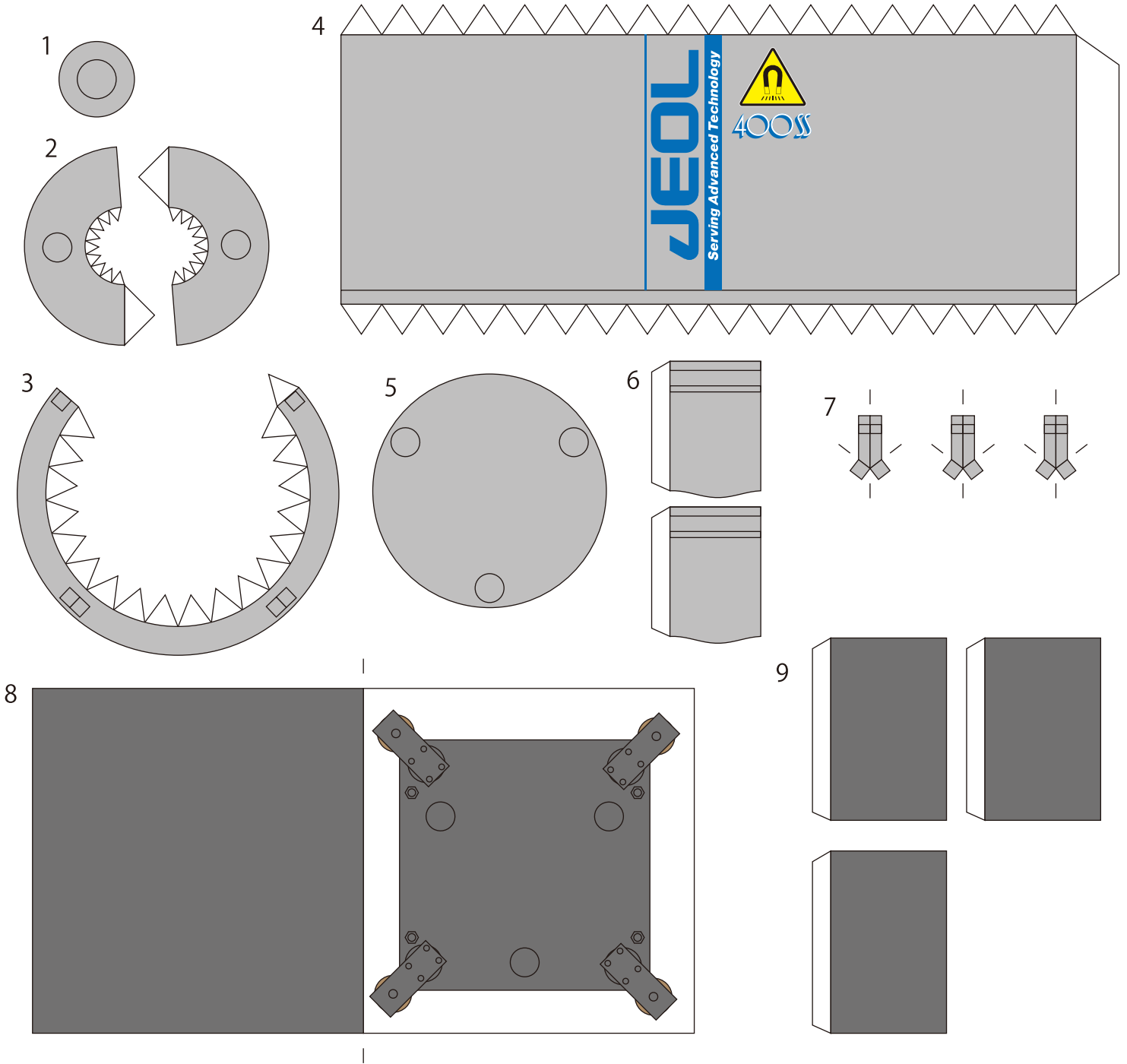


# 400MHz SCM Papercraft

**Necessary Tools:** Scissors, Glue(A wood glue is recommended), Toothpick(to put on glue), Tweezers



## [Assembling Instruction]

